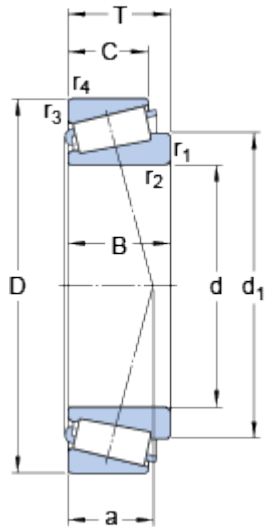


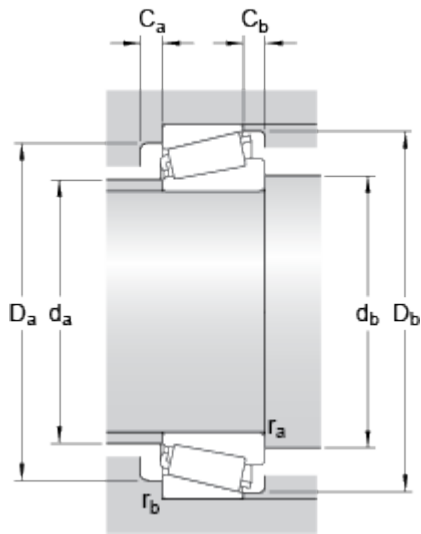
# M 86647/610/QCL7C

## Dimensions



d		28.575	mm
D		64.292	mm
T		21.433	mm
d <sub>1</sub>	≈	48.8	mm
B		21.433	mm
C		16.67	mm
r <sub>1,2</sub>	min.	1.5	mm
r <sub>3,4</sub>	min.	1.5	mm
a		18	mm

## Abutment dimensions



d <sub>a</sub>	max.	38	mm
d <sub>b</sub>	min.	36	mm
D <sub>a</sub>	min.	51	mm
D <sub>a</sub>	max.	56.5	mm
D <sub>b</sub>	min.	60	mm
C <sub>a</sub>	min.	3	mm
C <sub>b</sub>	min.	4.5	mm
r <sub>a</sub>	max.	1.5	mm
r <sub>b</sub>	max.	1.5	mm

## Calculation data

Basic dynamic load rating	C	49.5	kN
Basic static load rating	C <sub>0</sub>	61	kN
Fatigue load limit	P <sub>u</sub>	6.8	kN
Reference speed		8000	r/min
Limiting speed		11000	r/min
Calculation factor	e	0.54	
Calculation factor	Y	1.1	

Calculation factor

$Y_0$

0.6

**Mass**

---

Mass bearing

0.35

kg